



Grondwerk en Cultuurtechniek Gebr. v.d. Maagdenberg b.v.

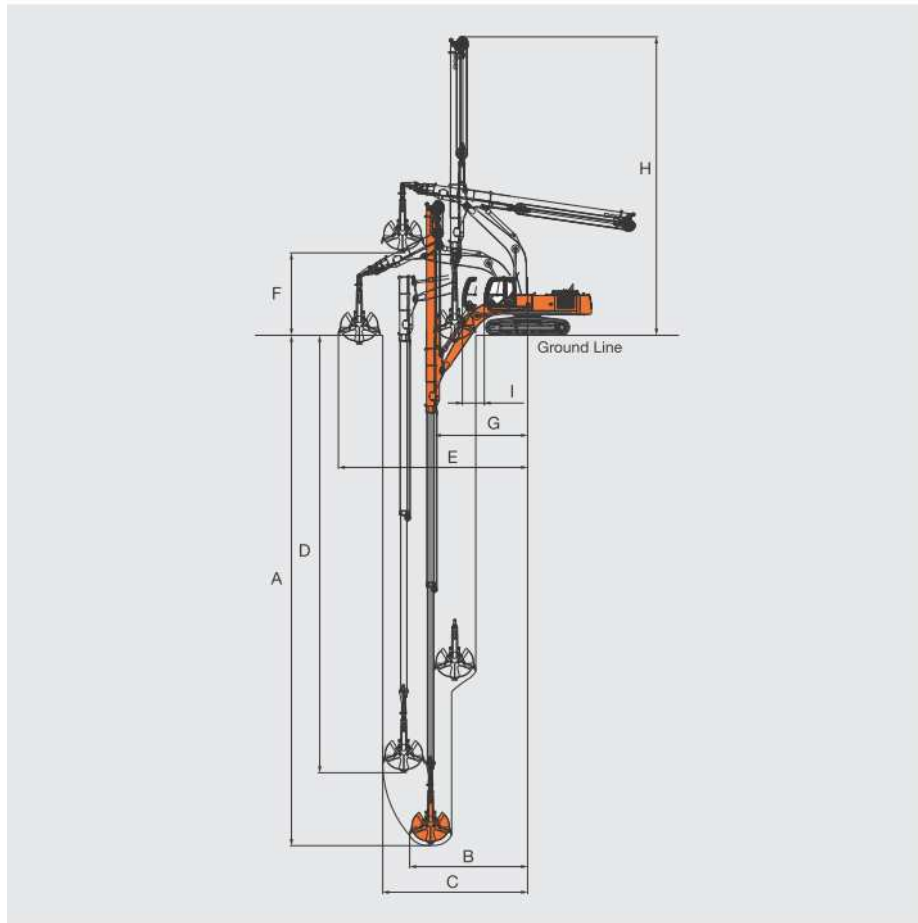
Bovenstraat 57 4741 TP Hoeven - Tel.: (0165) 503850 www.maagdenberghoeven.nl

TELESCOPIC ARM 30 M ZAXIS350LC



Model Code	ZX350LC-5B
Engine Rated Power	202 kW (271 HP)
Operating Weight	46 200 kg

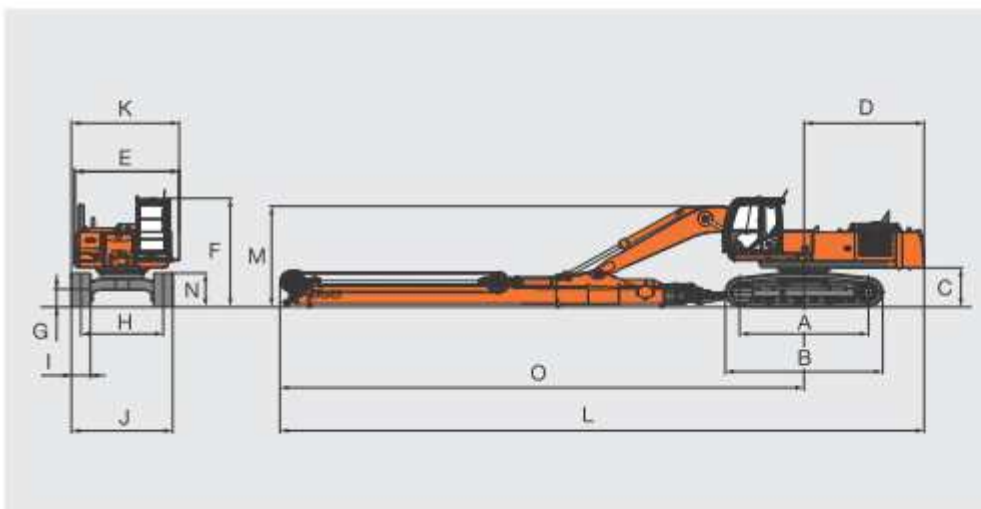
WORKING RANGES



Unit: mm

Telescopic arm type	S-TC300R-B
Telescopic arm system	Hydraulic cylinder + wire rope
A Max. vertical digging depth	30 000
B Radius at max. vertical digging depth	6 970
C Max. vertical digging radius	8 550
D Depth at max. vertical digging radius	25 710
E Max. working radius	11 180
F Max. dumping height	4 840
G Min. front swing radius	5 550
H Height at min. front swing radius	17 550
I Cab sliding distance	1 300

DIMENSIONS



Unit: mm

A Distance between tumbler	4 050
B Undercarriage length	4 940
*C Counterweight clearance	1 160
D Rear-end swing radius	3 780
E Overall width of upperstructure	3 290
F Overall height of cab	3 480
*G Min. ground clearance	500
H Track gauge	2 590
I Track shoe width	600
J Undercarriage width	3 190
K Overall width (folding the step)	3 390 (3 060)
L Overall length	20 250
M Overall height of boom	3 170
N Track height with triple grouser shoes	1 060
O Swing centre to front distance	16 480

* Excluding track shoe lug G: Triple grouser shoe